

Disc brake

Technical data and dimensions

Caliper SH32

Emergency brake
Fail safe
Spring application
Hydraulic release
Opening proving switches
Lining wear indicator wires

Operating conditions:

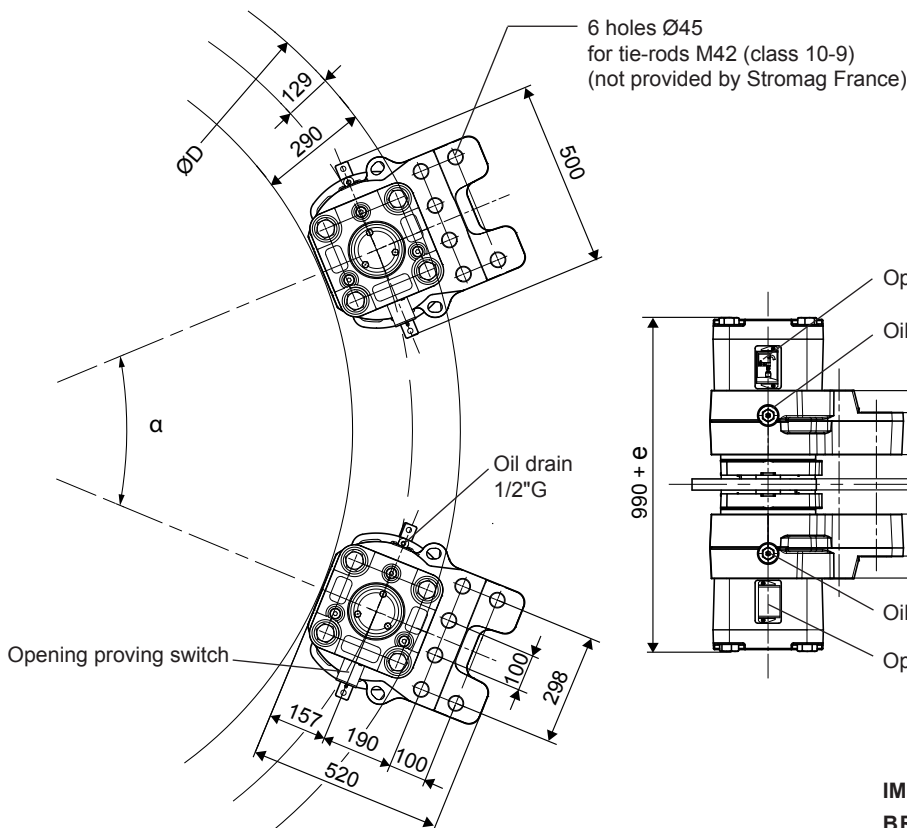
- Ambient temperature: -10°C to +60°C
- Relative humidity: ≤ 70%
- Dust in atmosphere ≥ 65µ
- Other conditions: consult us.

Use:

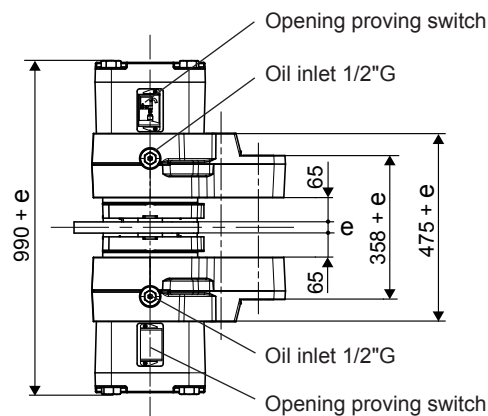
- The brake should be applied only in case of emergency stop, overspeed or shutdown of electric mains. Other use, consult us.

Options:

- Lining wear proving switches
- Progressive braking system
- Marine protection



Disc ØD	1000	1500	2000	2500	3000
α	≥ 95°	≥ 70°	≥ 53°	≥ 45°	≥ 38°



Standard disc thickness :
30 ≤ e ≤ 50 mm.
Other thickness, consult us.

Dimensions in mm

Designation	Caliper		SH32
	Lining		US2-1
BRAKING FORCE BF for air gap disc/lining of 2 x 1,5 mm	Dynamic N		333 800
	Static N		300 000
BRAKING FORCE BF for air gap disc/lining of 2 x 2 mm	Dynamic N		320 000
	Static N		288 000
Linear speed of the disc	m/s		≤ 10
DYNAMIC BRAKING TORQUE BT for 1 caliper and disc ØD (mm)	N.m		BT = BF (D/2000 - 0.129)
Regulation pressure	minimum	bar	180
	maximum	bar	200
Setting pressure limit valve of hydraulic unit	bar		225
Total volume of oil displaced for air gap disc/lining of 2 x 2 mm	cm ³		191 for one stroke disc/lining

IMPORTANT

BRAKING FORCE and **TORQUE** values correspond to lining quality **US2-1** and disc steel S235JR or S355JR (standard NF EN10025), these values are subject to a variation of ±10%.
Response time at nominal torque ≤ 0.3s

Weight : 600 kg

Electrical data:

Opening proving switches

Wear proving switches (optional) :

250VAC maxi., 5A maxi.,
with interrupting capacity: 50VA maxi.

220VDC maxi., 5A maxi.,
with interrupting capacity: 50W maxi.

Compatible with PLC (Programmable Logic Controllers).

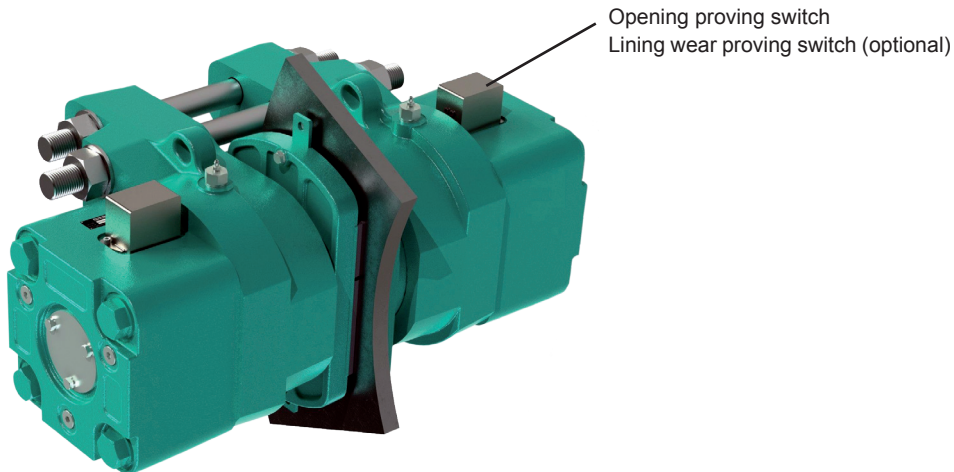
An opening switch used with other equipment than PLC must not be reused with a PLC.

Due to continuous development and improvement, all dimensions and characteristics are subject to change without notice.

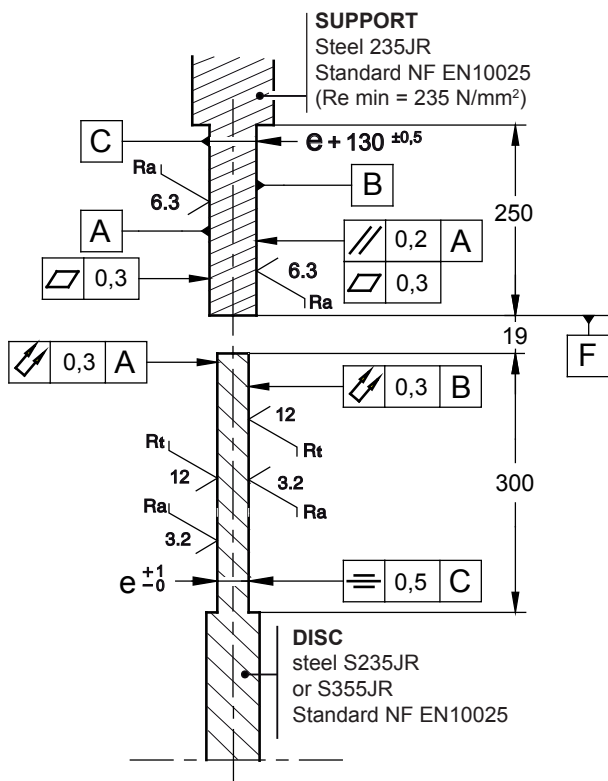
Disc brake

Technical data and dimensions

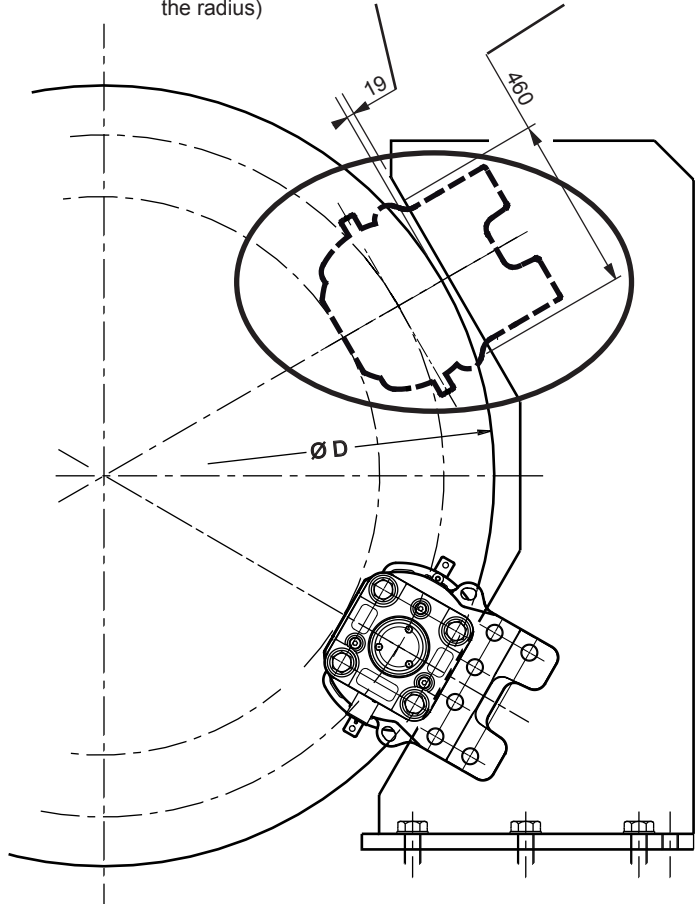
Caliper SH32
Installation instructions



Dimension at the closest point (perpendicular on the radius)
The support F face **must be** rectilinear on this length



Standard disc thickness: $30 \leq e \leq 50$ mm.
Other thickness, consult us.
Dimensions in mm.



Due to continuous development and improvement, all dimensions and characteristics are subject to change without notice.