

**Disc brake**

**Technical data and dimensions**

**Caliper 3CA2**

Fail safe braking  
 Braking by spring application  
 Electromagnetic release  
 Automatic wear compensation  
 Opening proving switch

**Working conditions:**

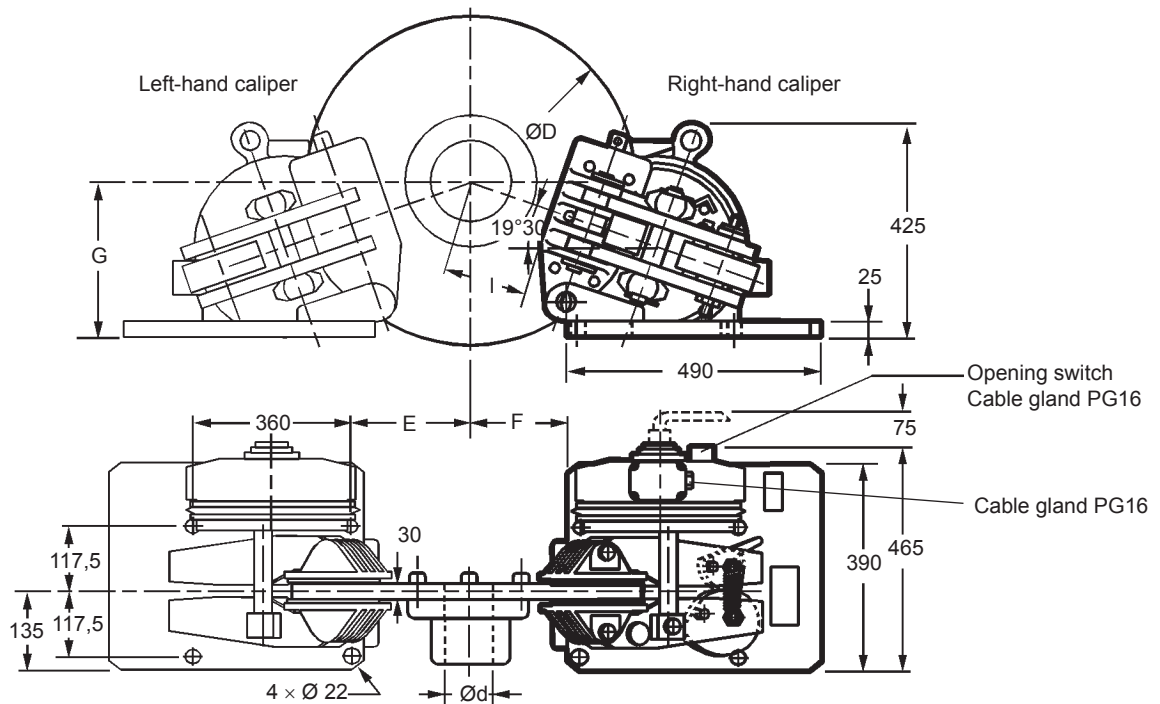
- Ambient temperature: -10°C to +60°C
- Relative humidity ≤ 70%
- Dust in atmosphere ≥ 65µ

Other conditions, consult us.

**Use:**  
 Any application up to 1000act/h

**Options:**

- Brake pads with wear indicator
- Manual release lever
- Hydraulic release
- Manual wear compensation
- Load regulated lowering
- Flameproof protection
- Marine protection
- Closing proving switch
- Switch on release nut



Weight: 175kg  
 Response time at nominal torque:  $\Delta t \leq 0.3$  s

Discs		445	495	550	625	705	795
Nominal torque for 1 caliper adjustable from -30 to +20%	N.m	1600	1850	2100	2500	2900	3350
Maximum disc speed for nominal torque	r.p.m.	2100	1900	1800	1500	1300	1200
D	mm	445	495	550	625	705	795
d	mm	0-70	0-100	0-100	0-100	0-120	0-130
E	mm	100	120	150	185	225	265
F	mm	80	100	130	165	205	245
G	mm	285	295	305	315	330	345
I (approx. dimension)	mm	90	115	145	180	225	265
Maximum reaction on shaft	1 caliper	N 12300					
	2 calipers	N 7400					

**Technical data :**

Opening proving switch :  
 250VAC maxi., 5A maxi., with interrupting capacity : 50VA maxi.  
 220VDC maxi., 5A maxi., with interrupting capacity : 50W maxi.

Compatible with PLC (Programmable Logic Controllers).  
 An opening switch used with other equipment than PLC must not be reused with a PLC.

Due to continuous development and improvement, all dimensions and characteristics are subject to change without notice.

Discs	Leaflet No. T02220-01	Options	Leaflet No. A10048-01	07/07/11
Drawings	No. G10047-01	Power supplies AC32	No. T10005-01 / T10006-01 / T10007-01 / T10008-01	<b>T10050-01-B</b>
Installation and maintenance	No. M10048-01			
Spare parts	No. S10048-01			