

Disc brake

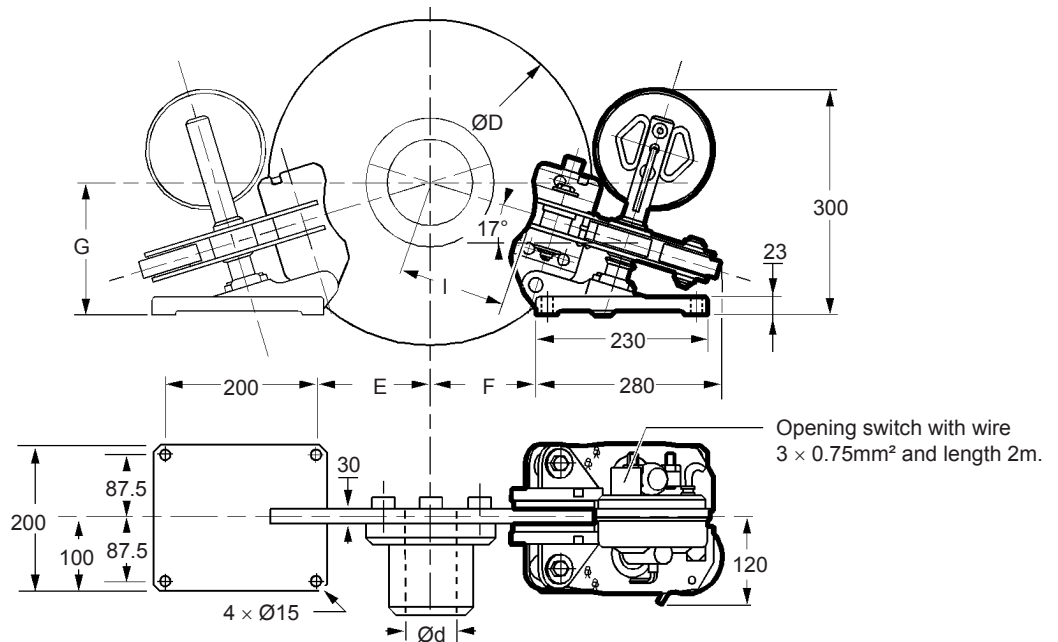
Technical data and dimensions

Calipers 5D and 5DR

Fail safe braking
 Spring application
 Electromagnetic release
 Automatic wear compensation
 Brake pads with wear indicator
 Opening proving switch
 With coil supply wire: 2 × 2mm², length 2m

Conditions of use:
 • Ambient temperature - 10°C to + 60°C
 • Relative humidity ≤ 70 %
 • Dust in atmosphere ≥ 65 μ
 Other conditions, consult Stromag France.

Options:
 • Manual release lever
 • Hydraulic release
 • Marine protection
 • Vertical mounting
 • Reduced torque
 • Closing proving switch
 • Manual release switch



Weight: 27 kg

Response time at nominal torque: caliper 5D : Δt ≤ 0.15 s. / caliper 5DR : Δt ≤ 0.2 s.

Discs		220 M30	260 M30	315 M30	315	355	395	445	495	550	625
Maximum speed of the disc for nominal torque	rpm	4300	3600	3000	3000	2700	2400	2100	1900	1800	1500
D	mm	220	260	315	315	355	395	445	495	550	625
d	mm	20-55	30-55	35-60	0-50	0-60	0-70	0-70	0-100	0-100	0-100
E	mm	65	80	100	100	120	140	160	190	220	255
F	mm	50	65	85	85	105	125	145	175	205	240
G	mm	150	153	160	160	164	170	180	185	195	205
I (approx. dimension)	mm	51	68	88	88	108	128	151	176	213	248
Caliper 5D :											
Nominal torque for 1 caliper adjustable from - 50% to +20%	N.m.	130	150	190	190	220	260	300	350	390	460
Maximum reaction on shaft	1 caliper						1950				
	2 calipers						1150				
Caliper 5DR :											
Nominal torque for 1 caliper adjustable from 100% to -50%	N.m.	65	75	95	95	110	130	150	175	195	230
Maximum reaction on shaft	1 caliper						815				
	2 calipers						480				

Technical data :

Opening proving switch :
 250VAC maxi., 5A maxi., with interrupting capacity: 50VA maxi.
 220VDC maxi., 5A maxi., with interrupting capacity: 50W maxi.

Compatible with PLC (Programmable Logic Controllers).
 An opening switch used with other equipment than PLC must not be reused with a PLC.

Due to continuous development and improvement, all dimensions and characteristics are subject to change without notice.

Discs	Leaflets No. T02160-01, T02220-01	Options	Leaflets No. A08200-01	30/06/11
Drawings	No. G06400-01	Power supplies AC64	No. T04500-01, T04560-01, T04510-01, T04500-02	
Installation and maintenance	No. M08200-01	Power supplies DC64	No. T04530-01, T04540-01	
Spare parts	No. S09200-01			

T03360-01-D