

Disc brakes

Technical data and dimensions

Calipers 45K and 45D

Fail safe braking
 Spring application
 Electromagnetic release
 Automatic linings wear compensation (Vertical mounting excluded)
 Opening proving switch
 Coil with supply wire: 2 × 2mm², length 2m
 Association with 30mm thick discs (or 15mm in option)
 Shoes DIN (caliper 45D) for discs thickness 30mm only.

Conditions of use :

- Ambient temperature -20°C to + 60°C
- Relative humidity ≤ 70 %
- Dust in atmosphere ≥ 65 μ

Other conditions, consult us.

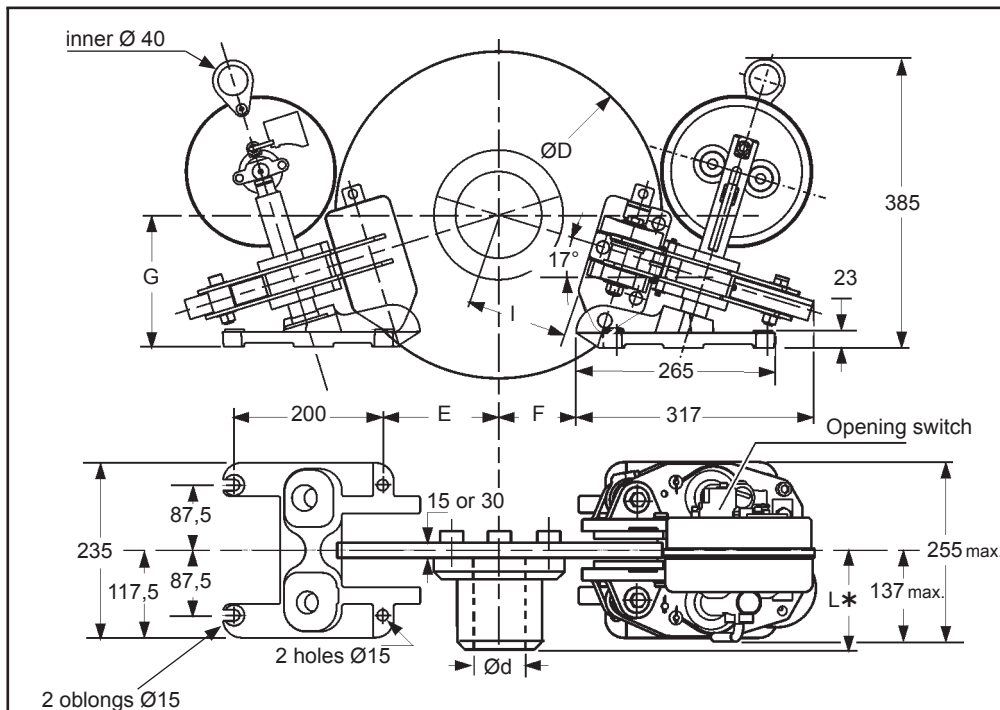
Use:

- Service brake for application ≤ 600 cycles / h

Possibility of quick manoeuvres :
 1000 cycles/h during 15s every 2 mn

Options:

- Mechanical release lever or hydraulic release
- Manual wear compensation (RM)
- Marine protection
- SIDHT steel industry high temperature
- Bearing brackets for mounting in place of a caliper 645.
- Mounting on a vertical axis disc.
- Closing proving switch
- Manual release switch



Nota :
 The 45K-RM and 45D-RM calipers (manual wear compensation option) have the same overall dimensions as the 45K and 45D calipers with automatic wear compensation.

*** ATTENTION**
 For discs Ø315 to 395, the length of 137 max. is higher than the length L of the standard hub. Provide space at the rear of the hub by means of a spacer.

Opening proving switch :
 250VAC maxi., 5A maxi., with interrupting capacity: 50VA maxi.
 220VDC maxi., 5A maxi., with interrupting capacity: 50W maxi.

Compatible with PLC (Programmable Logic Controllers).
 An opening switch used with other equipment than PLC must not be reused with a PLC.

Weight : 41kg
 Response time at nominal torque : see leaflets of AC64 or 12514 electrical power units.
 Caliper delivered in standard with WS1-5 lining.
 For energy applications, use WS1-3 (torque loss of 20%).

| Designation | Discs | solid and thickness 15 mm (option) | | | | | | | | ventilated and thickness 30 mm | | | | | | | |
|---|------------|------------------------------------|------|------|------|-------|-------|-------|------|--------------------------------|------|------|-------|-------|-------|--|--|
| | | 315 | 355 | 395 | 445 | 495 | 550 | 625 | 315 | 355 | 395 | 445 | 495 | 550 | 625 | | |
| D Disc diameter | mm | 315 | 355 | 395 | 445 | 495 | 550 | 625 | 315 | 355 | 395 | 445 | 495 | 550 | 625 | | |
| Nominal torque for 1 caliper adjustable from -30% to +20% | N.m | 410 | 470 | 560 | 650 | 750 | 840 | 990 | 410 | 470 | 560 | 650 | 750 | 840 | 990 | | |
| Maximum speed of the disc for nominal torque | r.p.m. | 3000 | 2700 | 2400 | 2100 | 1900 | 1800 | 1500 | 3000 | 2700 | 2400 | 2100 | 1900 | 1800 | 1500 | | |
| d | mm | 0-75 | 0-75 | 0-75 | 0-75 | 0-100 | 0-100 | 0-100 | 0-50 | 0-60 | 0-70 | 0-70 | 0-100 | 0-100 | 0-100 | | |
| E | mm | 100 | 120 | 140 | 160 | 190 | 220 | 255 | 100 | 120 | 140 | 160 | 190 | 220 | 255 | | |
| F | mm | 50 | 70 | 90 | 110 | 140 | 170 | 205 | 50 | 70 | 90 | 110 | 140 | 170 | 205 | | |
| G | mm | 160 | 164 | 170 | 180 | 185 | 195 | 205 | 160 | 164 | 170 | 180 | 185 | 195 | 205 | | |
| I (calipers 45K, 45K-RM) | mm | 75 | 95 | 116 | 138 | 168 | 200 | 236 | 75 | 95 | 116 | 138 | 168 | 200 | 236 | | |
| I (caliper 45D) | mm | | | | | | | | 75 | 95 | 116 | 138 | 168 | 200 | 236 | | |
| I (caliper 45D-RM) | mm | | | | | | | | 96 | 116 | 137 | 159 | 189 | 221 | 257 | | |
| Maximum reaction on shaft | 1 Caliper | N 4200 | | | | | | | | | | | | | | | |
| | 2 Calipers | N 2450 | | | | | | | | | | | | | | | |

Due to continuous development and improvement, all dimensions and characteristics are subject to change without notice.

| | | | | |
|------------------------------|---------------------------|-----------------------------|-------------------------------------|--------------------|
| Installation and maintenance | Leaflet No. M00140-01 | Drawings | No. G06400-01 | 26/08/11 |
| Spare parts | No. S00140-01 | Electrical power unit 12514 | No. T04210-01 | |
| Options | No. A00140-01 | Electrical power units AC64 | No. T04500-01, T04510-01, T04560-01 | |
| Discs | No. T02100-01 / T02220-01 | | | T00140-01-H |